

## CONFIGURATION INTERFACE KIT

CPI is a kit, composed by HW and SW, that allows the configuration "on the bench" of the instruments via a PC equipped with a standard RS232 port.

The instruments, with or without housing, are hooked and supplied via a special connector.

The kit contains:

- The interface hardware with interconnecting cables toward the instrument and the PC RS232 port.
- A wall mounted power supply with interchangeable universal plugs (European, UK and American)
- Copy on CD-ROM of "EROCnfg" Application tool for Windows® 95/98/NT4.0 wks/2000

## CPI

**PRELIMINARY**

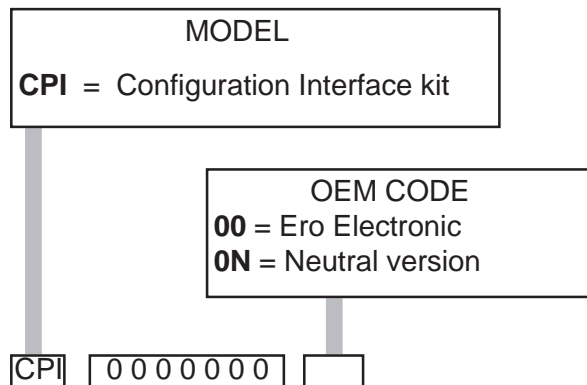
## HARDWARE SPECIFICATION

<b>Case:</b>	ABS black.
<b>Installation:</b>	on the bench.
<b>Dimensions:</b>	61 x 58 x 26 mm. RS232 cable length 230 cm. Configuration Port cable length 40 cm.
<b>Connectors:</b>	toward the RS232 port: standard 9 pin subD. toward the instrument Configuration Port: 5 pin specifically designed.
<b>Weight:</b>	150 g.
<b>Indicators:</b>	- 1 green led (power on) - 1 red led (RX)
<b>Power supply:</b>	wall mounted, from 100 to 240V AC 50/60 Hz.
<b>Power consumption:</b>	3 VA max.
<b>EMC and safety requirements:</b>	This instrument is marked CE and therefore it is conforming to council directives 89/336/EEC (reference harmonized standard CEI-EN-61326-1)
<b>Installation category:</b>	II
<b>Operative temperature:</b>	from 0 to 40 °C.
<b>Storage temperature:</b>	from -30 to +70 °C
<b>Humidity:</b>	from 20 % to 85% RH, non condensing.

## SOFTWARE SPECIFICATION

<b>Supported operating systems:</b>	Microsoft Windows® 95/98/NT4.0 wks/2000.
<b>Minimum system requirements:</b>	- Pentium® II processor or faster. - 64 MB RAM or more. - 10 MB free disk space. - A serial communication port RS232 (COM1/COM2).

## HOW TO ORDER



**Ero Electronic s.r.l.**  
Via E. Mattei, 21  
28100 Novara  
Italy  
Tel. (+39) 321 481111  
Fax. (+39) 321 481112

