

# Diaphragm Type Pressure Gauges



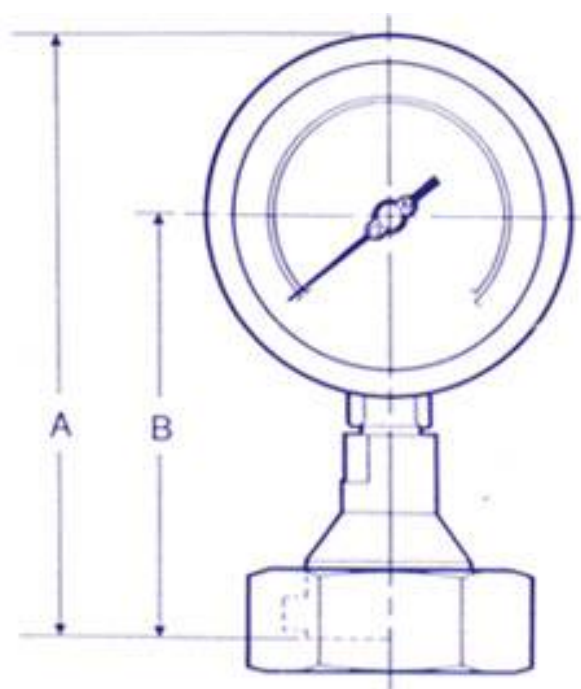
The IGE Diaphragm Pressure Gauge is a hygienic pressure measurement device for the direct indication of pressure. The gauges are available in a wide range of pressures to suit most process applications. All are dual calibrated in bar and p.s.i. and are available with a comprehensive range of pipeline connections. Pressure ranges and end connections other than shown can be supplied to order.

The gauge case is stainless (grade 304) fitted with acrylic plastic front window for safety requirements. Each case is fitted with a safety venting device which relieves any pressure inside the case. Where damping of the gauge mechanics is required (perhaps because of undue

pipeline vibration) the case may be filled with glycerine, otherwise it will be supplied unfilled. A damping fluid may be added in situ at any time during the gauge life.

All product contact surface are stainless steel (grade 316) and the pressure system is filled with a medium which satisfies the Materials and Articles in Contact with Food Regulations 1978.

Gauge accuracy complies with the requirements of BSEN837.1.



<b>Data:</b>	
Case	: 100mm Dia. Stainless Steel 304 Grade.
Pressure Sensor	: Stainless Steel 316 Grade
Maximum Working Pressure	: 75% of the Range on Dial and Full Vacuum.
Temperature	: Up to 100°C Without Damage
Accuracy	: Conforms to BSEN837-1.

#### ISS HEX NUT

ISS Nut Size	Pressure Range	Dimension	
		A	B
1.5"	0- 30 psi	0- 2 bar	171 112
	0- 60 psi	0- 4 bar	
	0- 100 psi	0- 7 bar	
	0- 160 psi	0-11 bar	
	0- 200 psi	0-13 bar	
	0- 300 psi	0-20 bar	
2"	0- 30 psi	0- 2 bar	180 126
	0- 60 psi	0- 4 bar	
	0- 100 psi	0- 7 bar	
	0- 160 psi	0-11 bar	
	0- 200 psi	0-13 bar	
	0- 300 psi	0-20 bar	
2.5"	0- 30 psi	0- 2 bar	174 121
	0- 60 psi	0- 4 bar	
	0- 100 psi	0- 7 bar	
	0- 160 psi	0-11 bar	
	0- 200 psi	0-13 bar	
	0- 300 psi	0-20 bar	

#### RJT HEX NUT

RJT Hex Nut Size	Pressure Range	Dimension	
		A	B
1.5"	0- 30 psi	0- 2 bar	174 120
	0- 60 psi	0- 4 bar	
	0- 100 psi	0- 7 bar	
	0- 160 psi	0-11 bar	
	0- 200 psi	0-13 bar	
	0- 300 psi	0-20 bar	
2"	0- 30 psi	0- 2 bar	164 110
	0- 60 psi	0- 4 bar	
	0- 100 psi	0- 7 bar	
	0- 160 psi	0-11 bar	
	0- 200 psi	0-13 bar	
	0- 300 psi	0-20 bar	
2.5"	0- 30 psi	0- 2 bar	181 126
	0- 60 psi	0- 4 bar	
	0- 100 psi	0- 7 bar	
	0- 160 psi	0-11 bar	
	0- 200 psi	0-13 bar	
	0- 300 psi	0-20 bar	

#### SMS Male Fitting

SMS Male Fitting	Pressure Range	Dimension	
		A	B
1.5"	0- 100 psi	0- 7 bar	186 131
	0- 200 psi	0-13 bar	
2"	0- 100 psi	0- 7 bar	186 131
	0- 200 psi	0-13 bar	

#### Clamp Type Fitting

Clamp Type Fitting	Pressure Range	Dimension	
		A	B
1.5"	0- 100 psi	0- 7 bar	153 98
	0- 200 psi	0-13 bar	
2"	0- 100 psi	0- 7 bar	158 103
	0- 200 psi	0-13 bar	